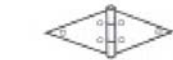
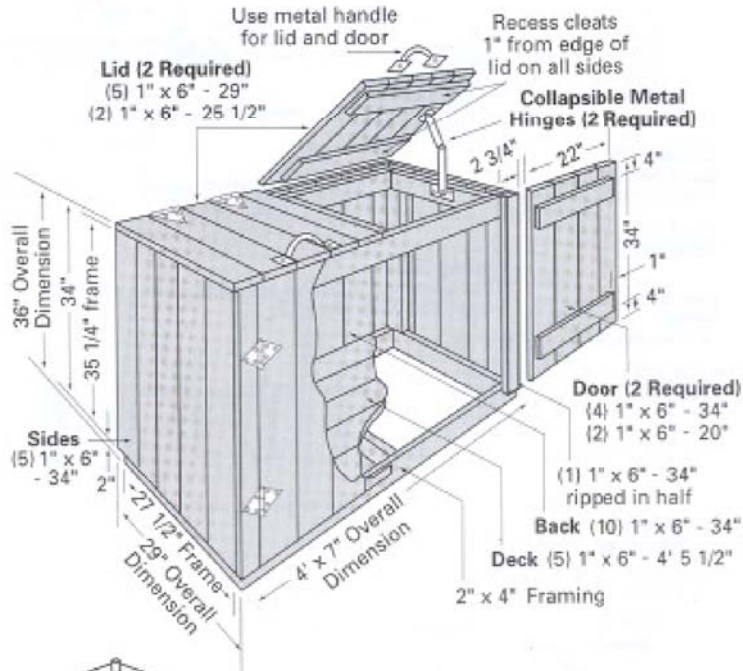


Storage and Trash Can Bin



Lumber

- ▲ Frame: (2) 2"x4" - 14'
- ▲ Front, Back, Sides, Deck, Lids and Doors:
 - (20) 1"x6" - 6"
 - (2) 1"x6" - 8"
 - (3) 1"x6" - 10'



Attach lids and doors with strap hinges mounted on exterior

Hardware

- ▲ Frame to Frame: 2" Nails as required
- ▲ All other 1" material: 1 1/2" Nails as required
- ▲ Lids: 2 pr. 5" Strap Hinges
(2) 5" Handles
- ▲ Doors: 2 pr. 2" Strap Hinges
(2) 5" Handles
- ▲ (1) Small Gate Latch